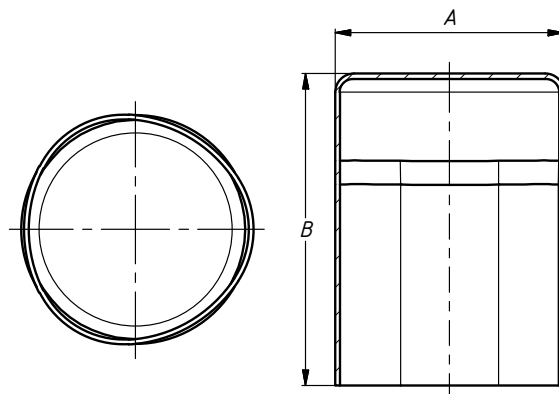


Name: PARIS

Description: Triangulated aluminium cap



Dimensions	
A	B
∅18.3mm	25 mm

Our REFERENCE: P1595

FEA 15

Fitting: Collar

Material: Aluminium

Inner plastic: No

Inner weight: No

Mass (gr): 2

Quantity per box: 3.000

Box dimensions (mm): 400x300x300

 **Environmental impact*: A+**

 **Recyclability index**: +++**

(EC) 1223/2009 Cosmetic Products: Yes

(EC) 1907/2006 Registration, Evaluation, Authorisation and Restriction of Chemicals: Yes

(EC) 1272 Classification, Labelling and Packaging of substances and mixtures: Yes

Country of manufacture: Spain

Industries: Perfumes & Cosmetics

* Qualitative value scale from A + more environmentally friendly to D less environmentally friendly

** Qualitative scale of values from +++ more easily recyclable to + less easily recyclable